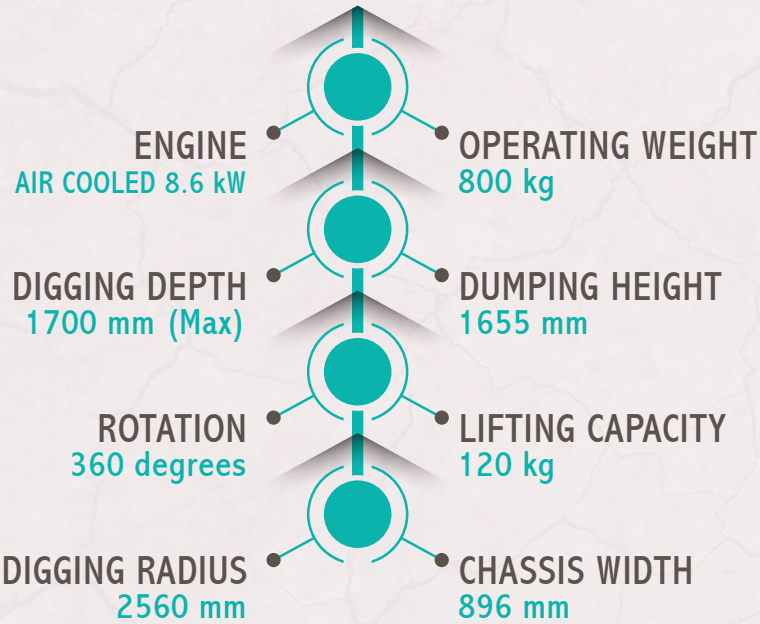


12 MONTH
WARRANTY



FEELER

FX 08

MINI EXCAVATOR



www.feelerafrica.co.za

38 Rokewood Street, Pomona, Kempton Park, 1619

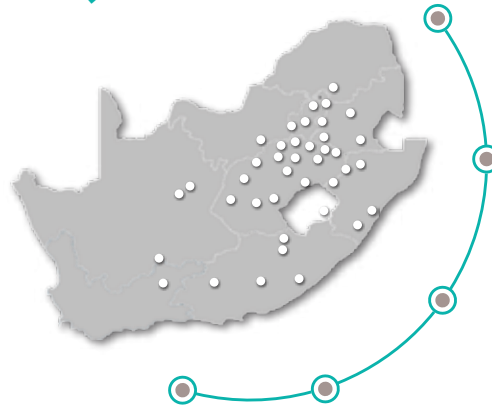
CONTACT US

Francois Griesel
082 753 6633
francois@feelerafrica.co.za

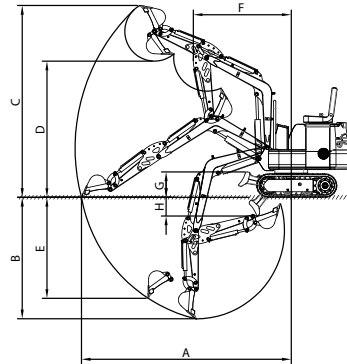
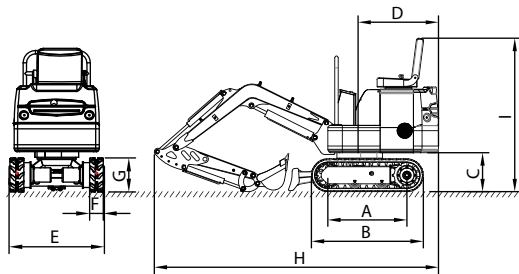
BD Terblanche
082 550 7813
BD@feelerafrica.co.za

Christo de Beer
082 877 6773
christo@feelerafrica.co.za

DEALER NETWORK AREA



DIMENSIONS



EXCAVATOR SIZE	Unit: mm
A. Wheelbase	910
B. Rubber Track Length	1230
C. Platform Ground Clearance	380
D. Platform Back Turning Radius	748
E. Chassis Width	896
F. Track Width	180
G. Track Height	320
H. Transport Length	2770
I. Chair to Ground Height	1490

WORKING RANGE	Unit: mm
A. Max. Digging Radius on Ground	2850
B. Max. Digging Depth	1650
C. Max. Digging Height	2610
D. Max. Dumping Height	1850
E. Max. Vertical Digging Depth	1375
F. Min. Rotation Radius	1330
G. Max. Upgrade Height of Bulldozer Blade	345
H. Max. Digging Depth of Bulldozer Blade	255

SPECIFICATIONS

OPERATION WEIGHT 800 kg	O	B BORE STROKE Single Cylinder, Fan Cool
DIGGING BUCKET CAPACITY 0.02 cbm / 120 kg	C	P MAIN PUMP SAISIDA
DIGGING BUCKET WIDTH 350 mm, Narrow Bucket 200 mm	W	V VALVE BEIFANG
ENGINE KOOP (KD 192F)	E	D DISPLACEMENT 6.8 ml / r
RATED POWER 8.6 kw / 1800 rpm	P	S SWING MOTOR SI-TECH (MP-1-160)
DISPLACEMENT 0.211 L	D	T TRAVELING MOTOR KERSEN (OMS-2450)

OPERATING RANGE

MAX. DIGGING DEPTH 1700 mm	D	R MAX. DIGGING RADIUS ON GROUND 2560 mm
MAX. VERTICAL DIGGING DEPTH 1576 mm	V	R MAX. ROTATION RADIUS 1200 mm
MAX. DIGGING HEIGHT 2365 mm	D	H MAX. UPGRADE HEIGHT OF BULLDOZER BLADE 165 mm
MAX. DUMPING HEIGHT 1655 mm	D	D MAX. DIGGING DEPTH OF BULLDOZER BLADE 170 mm

MAIN DIMENSIONS

OVERALL DIMENSIONS 1877 x 896 x 1990 mm	D	R PLATFORM BACK TURNING RADIUS 664 mm
WHEELBASE 770 mm	W	C CHASSIS WIDTH 896 mm
TOTAL LENGTH OF TRACK 960 mm	T	T TRACK WIDTH & HEIGHT Width: 130 mm Height: 320 mm
PLATFORM GROUND CLEARANCE 376 mm	C	G CHASSIS GROUND CLEARANCE 132 mm