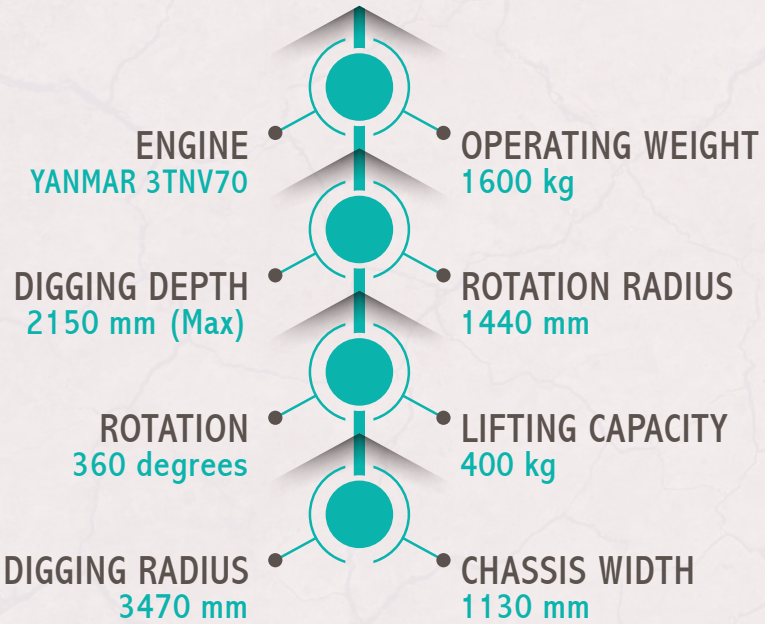


12 MONTH WARRANTY



www.feelerafrica.co.za

38 Rokewood Street, Pomona, Kempton Park, 1619

FEELER FX 16 MINI EXCAVATOR



CONTACT US

Francois Griesel
082 753 6633
francois@feelerafrica.co.za

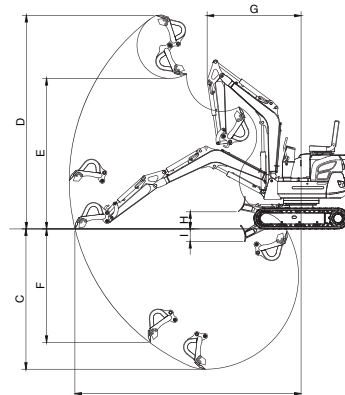
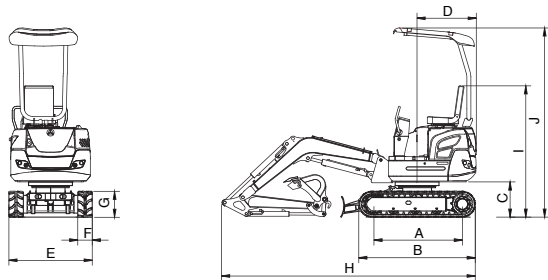
BD Terblanche
082 550 7813
BD@feelerafrica.co.za

Christo de Beer
082 877 6773
christo@feelerafrica.co.za

DEALER NETWORK AREA



DIMENSIONS



EXCAVATOR SIZE	Unit: mm
A. Wheelbase	1130
B. Rubber Track Length	1450
C. Platform Ground Clearance	437
D. Platform Back Turning Radius	740
E. Chassis Width	1040
F. Track Width	230
G. Track Height	320
H. Transport Length	3160
I. Chair to Ground Height	1637
J. With Sunshade Height	2377

WORKING RANGE	Unit: mm
A. Max. Digging Radius on Ground	3470
B. Max. Digging Radius	3560
C. Max. Digging Depth	2150
D. Max. Digging Height	3275
E. Max. Dumping Height	2310
F. Max. Vertical Digging Depth	1740
G. Min. Rotation Radius	1440
H. Max. Upgrade Height of Bulldozer Blade	262
I. Max. Digging Depth of Bulldozer Blade	192

SPECIFICATIONS

OPERATION WEIGHT 1600 kg	O	B BORE STROKE Three Cylinder, Water Cool
DIGGING BUCKET CAPACITY 0.045 cbm / 400 kg	C	P MAIN PUMP PERMCO
DIGGING BUCKET WIDTH 400 mm, Narrow Bucket 200 mm	W	V VALVE PERMCO
ENGINE Yanmar (3TNV70-S)	E	D DISPLACEMENT 6.8 ml / r
RATED POWER 10.3 kw / 2200 rpm	P	S SWING MOTOR EATON
DISPLACEMENT 0.854 L	D	T TRAVELING MOTOR EATON

OPERATING RANGE

MAX. DIGGING DEPTH 2150 mm	D	R MAX. DIGGING RADIUS ON GROUND 3470 mm
MAX. VERTICAL DIGGING DEPTH 1740 mm	V	R MAX. UPGRADE HEIGHT OF BULLDOZER BLADE 262 mm
MIN. ROTATION RADIUS 1440 mm	D	H MAX. DIGGING DEPTH OF BULLDOZER BLADE 192 mm

MAIN DIMENSIONS

OVERALL DIMENSIONS (L x W x H) 3160 x 1040 x 2377 mm	D	R CHASSIS WIDTH 1130 mm
TOTAL LENGTH ON TRACK ON LAND 1670 mm	W	C TRACK WIDTH 180 mm
PLATFORM GROUND CLEARANCE 460 mm	T	T TRACK HEIGHT 320 mm
PLATFORM BACK TURNING RADIUS 740 mm	C	G CHASSIS GROUND CLEARANCE 460 mm